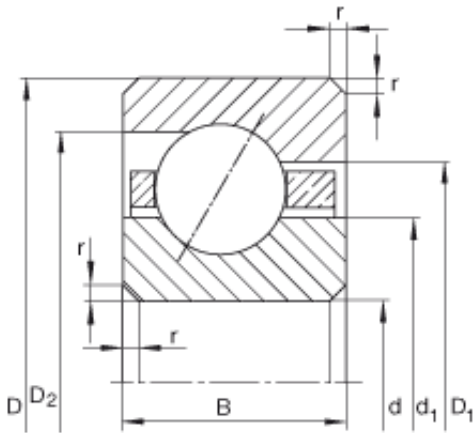




NTN Bearing Driveshaft do Brasil

11 inch x 304,8 mm x 12,7 mm 11 inch x 304,8 mm x 12,7 mm INA CSED110 deep groove ball bearings

Bearing No. CSED110



CSED110 Bearing 2D drawings and 3D CAD models

Size	279.4x304.8x12.7 mm
Bore Diameter	279,4 mm
Outer Diameter	304,8 mm
Width	12,7 mm
d	279,4 mm
d	11 inch
D	304,8 mm
B	12,7 mm
D ₁	295,4 mm
D ₂	298 mm
d ₁	288,8 mm
r _{min}	1,5 mm
m	0,93 kg / Weight
C _r	17400 N / Dynamic load rating (radial)
C _{0r}	37000 N / Static load rating (radial)