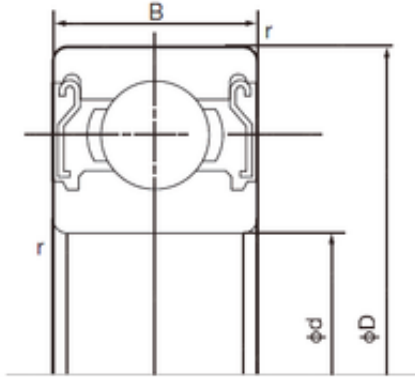




NTN Bearing Driveshaft do Brasil

10 mm x 30 mm x 9 mm 10 mm x 30 mm x 9 mm NACHI 6200ZZE deep groove ball bearings



Bearing No. 6200ZZE

6200ZZE Bearing 2D drawings and 3D CAD models

Size	10x30x9 mm
Bore Diameter	10 mm
Outer Diameter	30 mm
Width	9 mm
d	10 mm
D	30 mm
B	9 mm
C	9 mm
r min.	0.6 mm
da min.	15 mm
Da max.	25 mm
ra max.	0.6 mm
Weight	0.032 Kg
Basic dynamic load rating (C)	5,1 kN
Basic static load rating (C0)	2,39 kN
(Grease) Lubrication Speed	24000 r/min
Category	Single Row Ball Bearings
Inventory	0.0
Manufacturer Name	NACHI
Minimum Buy Quantity	N/A
Weight / Kilogram	0
Product Group	B00308
Enclosure	2 Metal Shields
Precision Class	ABEC 1 ISO P0
Maximum Capacity / Filling	No



NTN Bearing Driveshaft do Brasil

Slot	
Rolling Element	Ball Bearing
Snap Ring	No
Internal Special Features	No
Cage Material	Steel
Internal Clearance	C0-Medium
Inch - Metric	Metric
Long Description	10MM Bore; 30MM Outside Diameter; 9MM Outer Race Width; 2 Metal Shields; Ball Bearing; ABEC 1 ISO P0; No Filling Slot; No Snap Ring; No Internal Special Features; C0-Medium Internal Clearance; Steel
Other Features	Deep Groove
Category	Single Row Ball Bearing
UNSPSC	31171504
Harmonized Tariff Code	8482.10.50.68
Noun	Bearing
Keyword String	Ball
Manufacturer URL	http://www.nachi-america.com
Weight / LBS	0.06834
Inner Race Width	0 Inch 0 Millimeter
Bore	0.394 Inch 10 Millimeter
Outside Diameter	1.181 Inch 30 Millimeter
Outer Race Width	0.354 Inch 9 Millimeter
Bore Type	Cylindrical Bore
Configuration	Single Row
Bore Size	10 mm
Width	9 mm
Fillet Radius/Chamfer	0.6 mm
Dynamic Load Rating	5,100 N



NTN Bearing Driveshaft do Brasil

Static Load Rating	2,390 N
Limiting Speed - Grease	25,000 rpm
Factor f_0	13.2
Radial Clearance	0.002 to 0.013 mm
d_a (min)	15 mm
D_a (max)	25 mm
r_a (max)	0.6 mm