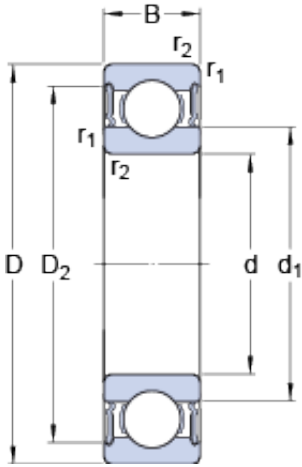




## NTN Bearing Driveshaft do Brasil



80 mm x 140 mm x 26 mm 80 mm x 140 mm x 26 mm SKF 6216-2RS1 deep groove ball bearings

Bearing No. 6216-2RS1

6216-2RS1 Bearing 2D drawings and 3D CAD models

Size	140x80x26 mm
Bore Diameter	140 mm
Outer Diameter	80 mm
Width	26 mm
d	80 mm
D	140 mm
B	26 mm
d <sub>1</sub>	101.4 mm
D <sub>2</sub>	126.5 mm
r <sub>1,2</sub> - min.	2 mm
d <sub>a</sub> - min.	91 mm
d <sub>a</sub> - max.	100.9 mm
D <sub>a</sub> - max.	129 mm
r <sub>a</sub> - max.	2 mm
Basic dynamic load rating - C	72.8 kN
Basic static load rating - C <sub>0</sub>	55 kN
Fatigue load limit - P <sub>u</sub>	2.2 kN
Limiting speed	3000 r/min
Calculation factor - k <sub>r</sub>	0.025
Calculation factor - f <sub>0</sub>	15
Category	Single Row Ball Bearings
Inventory	0.0
Manufacturer Name	SKF
Minimum Buy Quantity	N/A



## NTN Bearing Driveshaft do Brasil

Weight / Kilogram	1.51
EAN	7316577099952
Product Group	B00308
Enclosure	2 Seals
Precision Class	ABEC 1   ISO P0
Maximum Capacity / Filling Slot	No
Rolling Element	Ball Bearing
Snap Ring	No
Internal Special Features	No
Cage Material	Steel
Enclosure Type	Contact Seal
Internal Clearance	C0-Medium
Inch - Metric	Metric
Long Description	80MM Bore; 140MM Outside Diameter; 26MM Outer Race Diameter; 2 Seals; Ball Bearing; ABEC 1   ISO P0; No Filling Slot; No Snap Ring; No Internal Special Features
Category	Single Row Ball Bearing
UNSPSC	31171504
Harmonized Tariff Code	8482.10.50.68
Noun	Bearing
Keyword String	Ball
Manufacturer URL	<a href="http://www.skf.com">http://www.skf.com</a>
Manufacturer Item Number	6216-2RS1
Weight / LBS	3.33
Outer Race Width	1.024 Inch   26 Millimeter
Bore	3.15 Inch   80 Millimeter
Outside Diameter	5.512 Inch   140 Millimeter
d <sub>1</sub>	101.4 mm
D <sub>2</sub>	126.5 mm



## NTN Bearing Driveshaft do Brasil

$r_{1,2}$ min.	2 mm
$d_a$ min.	91 mm
$d_a$ max.	100.9 mm
$D_a$ max.	129 mm
$r_a$ max.	2 mm
Basic dynamic load rating C	72.8 kN
Basic static load rating $C_0$	55 kN
Fatigue load limit $P_u$	2.2 kN
Calculation factor $k_r$	0.025
Calculation factor $f_0$	15
Mass bearing	1.51 kg