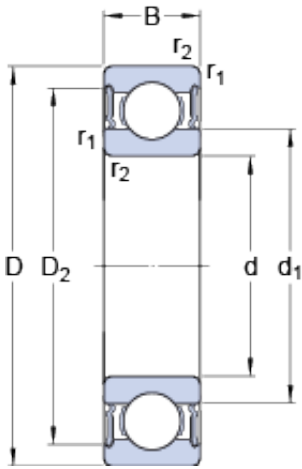




## NTN Bearing Driveshaft do Brasil



55 mm x 80 mm x 13 mm 55 mm x 80 mm x 13 mm SKF 61911-2RS1 deep groove ball bearings

Bearing No. 61911-2RS1

61911-2RS1 Bearing 2D drawings and 3D CAD models

Size	80x55x13 mm
Bore Diameter	80 mm
Outer Diameter	55 mm
Width	13 mm
d	55 mm
D	80 mm
B	13 mm
d <sub>1</sub>	63.2 mm
D <sub>2</sub>	74.2 mm
r <sub>1,2</sub> - min.	1 mm
d <sub>a</sub> - min.	59.6 mm
d <sub>a</sub> - max.	63.1 mm
D <sub>a</sub> - max.	75.4 mm
r <sub>a</sub> - max.	1 mm
Basic dynamic load rating - C	16.5 kN
Basic static load rating - C <sub>0</sub>	14 kN
Fatigue load limit - P <sub>u</sub>	0.6 kN
Limiting speed	5000 r/min
Calculation factor - k <sub>r</sub>	0.02
Calculation factor - f <sub>0</sub>	16.3
Category	Single Row Ball Bearings
Inventory	0.0
Manufacturer Name	SKF
Minimum Buy Quantity	N/A



## NTN Bearing Driveshaft do Brasil

Weight / Kilogram	0.2
EAN	7316571026855
Product Group	B00308
Enclosure	2 Seals
Precision Class	ABEC 1   ISO P0
Maximum Capacity / Filling Slot	No
Rolling Element	Ball Bearing
Snap Ring	No
Internal Special Features	No
Cage Material	Steel
Enclosure Type	Contact Seal
Internal Clearance	C0-Medium
Inch - Metric	Metric
Long Description	55MM Bore; 80MM Outside Diameter; 13MM Outer Race Diameter; 2 Seals; Ball Bearing; ABEC 1   ISO P0; No Filling Slot; No Snap Ring; No Internal Special Features
Category	Single Row Ball Bearing
UNSPSC	31171504
Harmonized Tariff Code	8482.10.50.68
Noun	Bearing
Keyword String	Ball
Manufacturer URL	<a href="http://www.skf.com">http://www.skf.com</a>
Manufacturer Item Number	61911-2RS1
Weight / LBS	0.45
Outside Diameter	3.15 Inch   80 Millimeter
Bore	2.165 Inch   55 Millimeter
Outer Race Width	0.512 Inch   13 Millimeter
bore diameter:	55 mm
static load capacity:	14 kN



## NTN Bearing Driveshaft do Brasil

outside diameter:	80 mm
precision rating:	Not Rated
overall width:	13 mm
finish/coating:	Uncoated
bore type:	Round
cage material:	Steel
closure type:	Double Sealed
outer ring width:	13 mm
row type & fill slot:	Single Row Non-Fill Slot
fillet radius:	1 mm
internal clearance:	C0
maximum rpm:	5000 RPM
operating temperature range:	-40 to +210 ° F
series:	61
dynamic load capacity:	16.5 kN
$d_1$	63 mm
$D_2$	74.2 mm
$r_{1,2}$ min.	1 mm
$d_a$ min.	59.6 mm
$d_a$ max.	63.1 mm
$D_a$ max.	75.4 mm
$r_a$ max.	1 mm
Basic dynamic load rating C	16.5 kN
Basic static load rating $C_0$	14 kN
Fatigue load limit $P_u$	0.6 kN
Calculation factor $k_r$	0.02
Calculation factor $f_0$	16.3
Mass bearing	0.19 kg