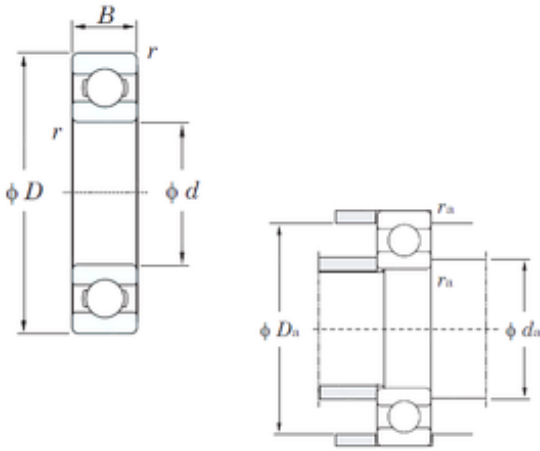




NTN Bearing Driveshaft do Brasil



90 mm x 225 mm x 54 mm 90 mm x 225 mm x 54 mm KOYO 6418 deep groove ball bearings

Bearing No. 6418

6418 Bearing 2D drawings and 3D CAD models

Size	90x225x54 mm
Bore Diameter	90 mm
Outer Diameter	225 mm
Width	54 mm
d	90 mm
D	225 mm
B	54 mm
C	54 mm
r min.	4 mm
da min.	106 mm
Da max.	209 mm
ra max.	3 mm
Weight	9,78 Kg
Basic dynamic load rating (C)	184 kN
Basic static load rating (C0)	149 kN
(Grease) Lubrication Speed	3100 r/min
(Oil) Lubrication Speed	3700 r/min
Category	Single Row Ball Bearings
Inventory	0.0
Manufacturer Name	KOYO
Minimum Buy Quantity	N/A
Weight / Kilogram	10.572
EAN	0605790368332
Product Group	B00308
Enclosure	Open



NTN Bearing Driveshaft do Brasil

Precision Class	ABEC 1 ISO P0
Maximum Capacity / Filling Slot	No
Rolling Element	Ball Bearing
Snap Ring	No
Internal Special Features	No
Cage Material	Steel
Internal Clearance	C0-Medium
Inch - Metric	Metric
Long Description	90MM Bore; 225MM Outside Diameter; 54MM Outer Race Diameter; Open; Ball Bearing; ABEC 1 ISO P0; No Filling Slot; No Snap Ring; No Internal Special Features
Category	Single Row Ball Bearing
UNSPSC	31171504
Harmonized Tariff Code	8482.10.50.68
Noun	Bearing
Keyword String	Ball
Manufacturer URL	http://www.koyousa.com
Manufacturer Item Number	6418
Weight / LBS	23.286
Outside Diameter	8.858 Inch 225 Millimeter
Bore	3.543 Inch 90 Millimeter
Outer Race Width	2.126 Inch 54 Millimeter
Bearing No.	6418
r(min)	4
Cr	230
C0r	149
Cu	12.7
f0	12.5
Grease lub.	3100



NTN Bearing Driveshaft do Brasil

Oil lub.	3700
da(min)	106
Da(max)	209
ra(max)	3
(Refer.)Mass(kg)	9.78