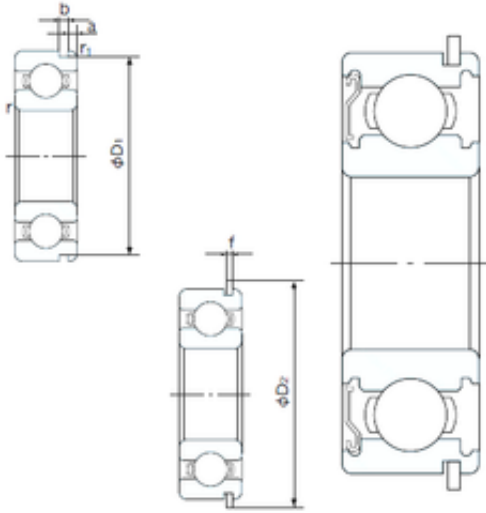




NTN Bearing Driveshaft do Brasil



40 mm x 90 mm x 23 mm 40 mm x 90 mm x 23 mm NACHI 6308ZENT deep groove ball bearings

Bearing No. 6308ZENT

6308ZENT Bearing 2D drawings and 3D CAD models

Size	40x90x23 mm
Bore Diameter	40 mm
Outer Diameter	90 mm
Width	23 mm
d	40 mm
D	90 mm
B	23 mm
C	23 mm
a	3.28 mm
b	2.7 mm
f	2.46 mm
r min.	1.5 mm
r1 min.	0.5 mm
D1	86.79 mm
D2	96.5 mm
Weight	0.633 Kg
Basic dynamic load rating (C)	40,5 kN
Basic static load rating (C0)	24,1 kN
(Grease) Lubrication Speed	7500 r/min
Category	Single Row Ball Bearings
Inventory	0.0
Manufacturer Name	NACHI
Minimum Buy Quantity	N/A
Weight / Kilogram	0
Product Group	B00308



NTN Bearing Driveshaft do Brasil

Enclosure	1 Metal Shield
Precision Class	ABEC 1 ISO P0
Maximum Capacity / Filling Slot	No
Rolling Element	Ball Bearing
Snap Ring	Yes
Internal Special Features	No
Cage Material	Steel
Internal Clearance	C0-Medium
Inch - Metric	Metric
Long Description	40MM Bore; 90MM Outside Diameter; 23MM Outer Race Width; 1 Metal Shield; Ball Bearing; ABEC 1 ISO P0; No Filling Slot; Yes Snap Ring; No Internal Special Features; C0-Medium Internal Clearance; Stee
Other Features	Deep Groove With Snap Ring
Category	Single Row Ball Bearing
UNSPSC	31171504
Harmonized Tariff Code	8482.10.50.68
Noun	Bearing
Keyword String	Ball
Manufacturer URL	http://www.nachiamerica.com
Weight / LBS	1.411
Outside Diameter	3.543 Inch 90 Millimeter
Bore	1.575 Inch 40 Millimeter
Outer Race Width	0.906 Inch 23 Millimeter
Inner Race Width	0 Inch 0 Millimeter
Bore Type	Cylindrical Bore
Configuration	Single Row
Bore Size	40 mm



NTN Bearing Driveshaft do Brasil

Width	23 mm
Fillet Radius/Chamfer	1.5 mm
r1	0.5 mm
Snap Ring Width	2.5 mm
Snap Ring Outside Diameter	96.5 mm
D1 (max)	86.8 mm
a (max)	3.3 mm
b (min)	2.7 mm
Dynamic Load Rating	40,500 N
Static Load Rating	24,100 N
Limiting Speed - Grease	7,800 rpm
Limiting Speed - Oil	9,200 rpm
Factor fo	13.2
Radial Clearance	0.006 to 0.020 mm
da (min)	49 mm
Da (max)	81 mm
Dx (min)	98 mm
ra (max)	1.5 mm
Cy (max)	5.9 mm