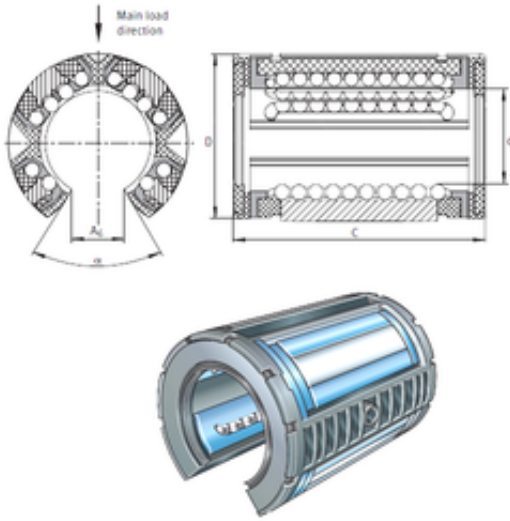




NTN Bearing Driveshaft do Brasil



INA KSO12 linear bearings

Bearing No. KSO12

Size	12x22x32 mm
Bore Diameter	12 mm
Outer Diameter	22 mm
Width	32 mm
d	12 mm
D	22 mm
C	32 mm
A6	7,6 mm
K4	3 mm
K1	3 mm
Angle (?)	78 °
Weight	0,013 Kg
Basic dynamic load rating (C)	0,9 kN

KSO12 Bearing 2D drawings and 3D CAD models