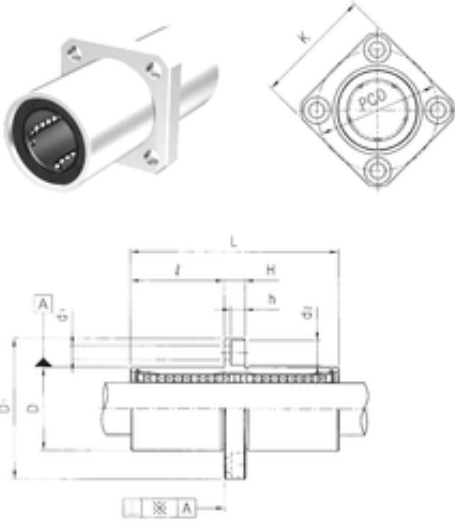




NTN Bearing Driveshaft do Brasil



LMKM10 Bearing 2D drawings and 3D CAD models

Samick LMKM10 linear bearings

Bearing No. LMKM10

Bore Diameter	10 mm
Outer Diameter	19 mm
d	10 mm
D	19 mm
d1	4,5 mm
d2	8 mm
h	4,4 mm
D1	40 mm
H	6 mm
K	30 mm
L	55 mm
PCD	29 mm
	24,5 Tolerance h14
Tolerance perpendicularity (C)	15
Weight	0,105 Kg
Basic dynamic load rating (C)	0,58 kN