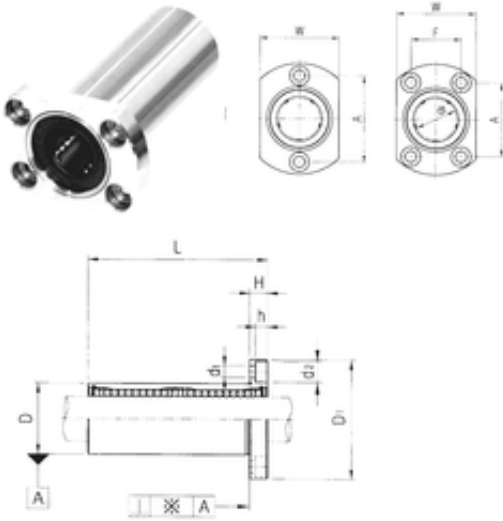




NTN Bearing Driveshaft do Brasil



LMH30L Bearing 2D drawings and 3D CAD models

Samick LMH30L linear bearings

Bearing No. LMH30L

Bore Diameter	30 mm
Outer Diameter	45 mm
d	30 mm
D	45 mm
d1	6,6 mm
d2	11 mm
h	6,5 mm
A	49 mm
D1	74 mm
F	35 mm
H	10 mm
L	123 mm
W	51 mm
Tolerance perpendicularity (C)	20
Weight	0,655 Kg
Basic dynamic load rating (C)	2,49 kN