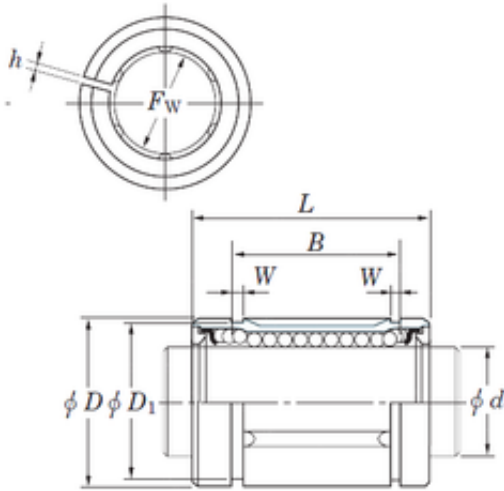




NTN Bearing Driveshaft do Brasil



SDM20AJMG Bearing 2D drawings and 3D CAD models

KOYO SDM20AJMG linear bearings

Bearing No. SDM20AJMG

Size	20x32x30.5 mm
Bore Diameter	20 mm
Outer Diameter	32 mm
Width	30,5 mm
Fw	20 mm
D	32 mm
h	1,5 mm
B	30,5 mm
D1	30,5 mm
L	42 mm
W	1,6 mm
Weight	0,079 Kg
Basic dynamic load rating (C)	590 kN