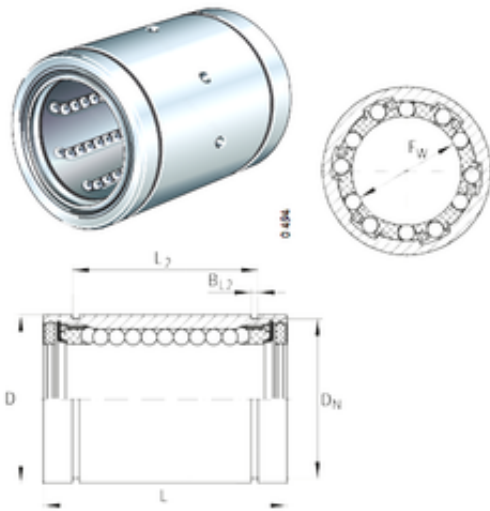




# NTN Bearing Driveshaft do Brasil

## INA KBS40-PP linear bearings

Bearing No. KBS40-PP



KBS40-PP Bearing 2D drawings and 3D CAD models

Bore Diameter	40 mm
Outer Diameter	62 mm
Fw	40 mm
D	62 mm
Dn	59 mm
L2	60,3 mm
B3	1 mm
N2	3 mm
L	80 mm
BL2	2,15 mm
Angle (X)	64
Weight	0,6 Kg
Basic dynamic load rating (C)	6,4 kN