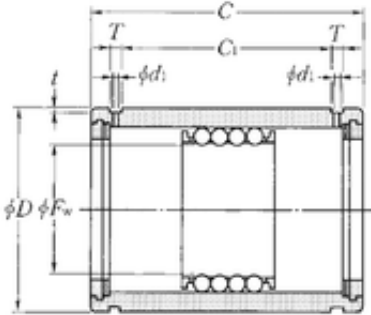




NTN Bearing Driveshaft do Brasil

NTN KD304565 linear bearings



Bearing No. KD304565

Size	30x45x65 mm
Bore Diameter	30 mm
Outer Diameter	45 mm
Width	65 mm
Fw	30 mm
D	45 mm
C	65 mm
t	0,7 mm
d1	2,5 mm
C1	53,5 mm
T	2,7 mm
Weight	0,265 Kg
Basic dynamic load rating (C)	3,85 kN

KD304565 Bearing 2D drawings and 3D CAD models