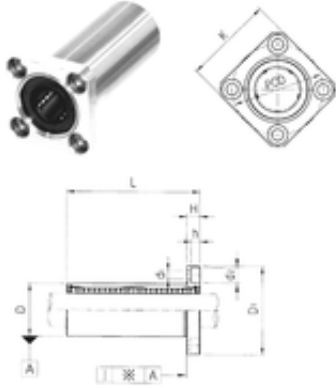




# NTN Bearing Driveshaft do Brasil

## Samick LMK25LUU linear bearings



Bearing No. LMK25LUU

Bore Diameter	25 mm
Outer Diameter	40 mm
d	25 mm
D	40 mm
d1	5,5 mm
d2	9,5 mm
h	5,4 mm
D1	62 mm
H	8 mm
K	50 mm
L	112 mm
PCD	51 mm
Tolerance perpendicularity (C)	20
Weight	0,515 Kg
Basic dynamic load rating (C)	1,56 kN

LMK25LUU Bearing 2D drawings and 3D CAD models