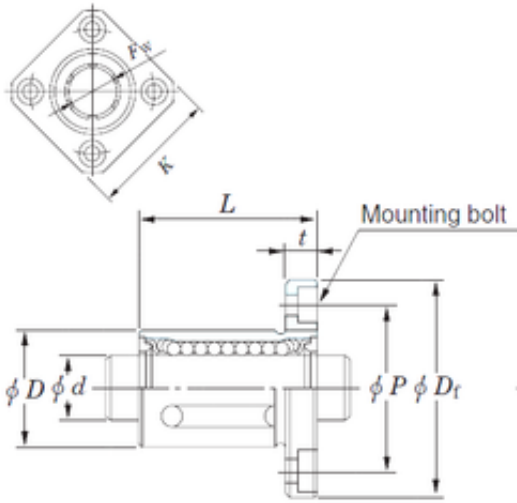




# NTN Bearing Driveshaft do Brasil

## KOYO SDMK30MG linear bearings

Bearing No. SDMK30MG



SDMK30MG Bearing 2D drawings and 3D CAD models

Bore Diameter	30 mm
Outer Diameter	45 mm
Fw	30 mm
D	45 mm
P	60 mm
t	10 mm
D1	74 mm
K	58 mm
L	64 mm
Bolt (G)	M6
Weight	410 Kg
Basic dynamic load rating (C)	1470 kN