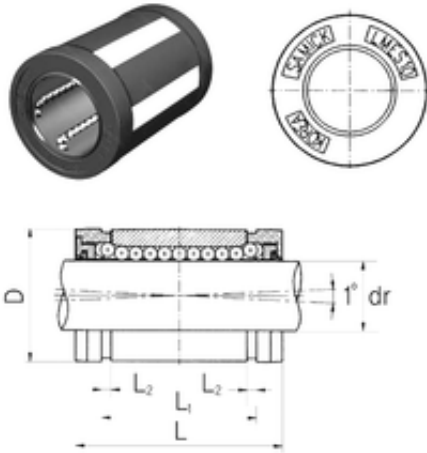




## NTN Bearing Driveshaft do Brasil

### Samick LMES10UU linear bearings



Bearing No. LMES10UU

Bore Diameter	10 mm
Outer Diameter	19 mm
d	10 mm
D	19 mm
L ± 0.2	29 mm
L1 ± 0.2	21,7 mm
L2 min.	1,35 mm
Weight	0,017 Kg
Basic dynamic load rating (C)	0,75 kN

LMES10UU Bearing 2D drawings and 3D CAD models