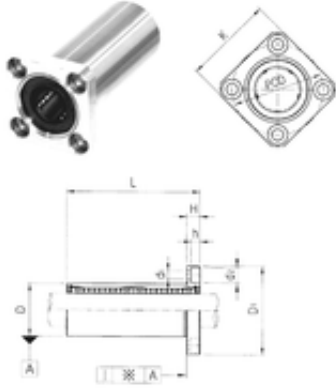




NTN Bearing Driveshaft do Brasil

Samick LMK35L linear bearings



Bearing No. LMK35L

Bore Diameter	35 mm
Outer Diameter	52 mm
d	35 mm
D	52 mm
d1	6,6 mm
d2	11 mm
h	6,5 mm
D1	82 mm
H	10 mm
K	64 mm
L	135 mm
PCD	67 mm
Tolerance perpendicularity (C)	25
Weight	0,97 Kg
Basic dynamic load rating (C)	2,65 kN

LMK35L Bearing 2D drawings and 3D CAD models