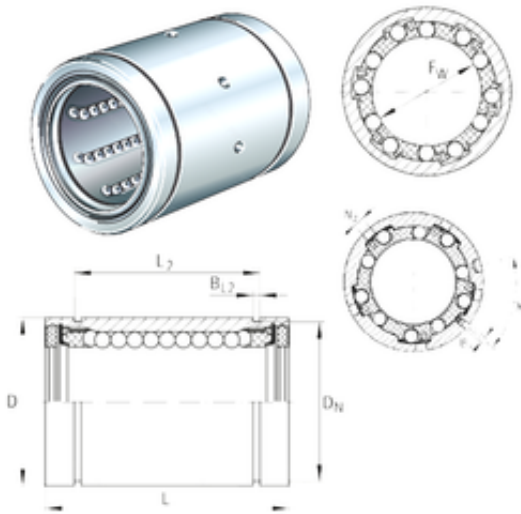




# NTN Bearing Driveshaft do Brasil

## INA KB25-PP-AS linear bearings

Bearing No. KB25-PP-AS



KB25-PP-AS Bearing 2D drawings and 3D CAD models

Bore Diameter	25 mm
Outer Diameter	40 mm
Fw	25 mm
D	40 mm
Dn	37,5 mm
L2	43,7 mm
N2	2,5 mm
L	58 mm
BL2	1,85 mm
Weight	0,19 Kg
Basic dynamic load rating (C)	2,95 kN