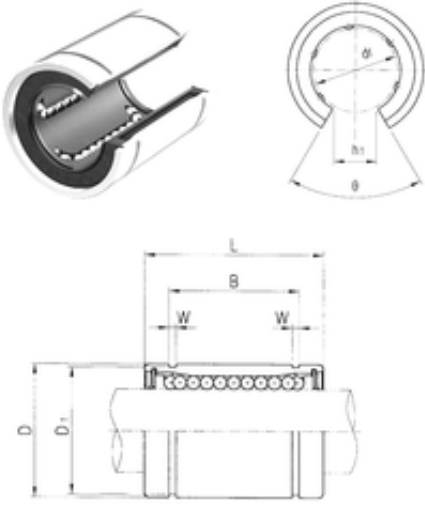




NTN Bearing Driveshaft do Brasil



LME50OP Bearing 2D drawings and 3D CAD models

50 mm x 75 mm x 77,6 mm 50 mm x 75 mm x 77,6 mm Samick LME50OP linear bearings

Bearing No. LME50OP

Size	50x75x77.6 mm
Bore Diameter	50 mm
Outer Diameter	75 mm
Width	77,6 mm
d	50 mm
D	75 mm
h1	21 mm
B	77,6 mm
D1	72 mm
L	100 mm
W	2,65 mm
	50 mm
Weight	1,13 Kg
Basic dynamic load rating (C)	3,82 kN