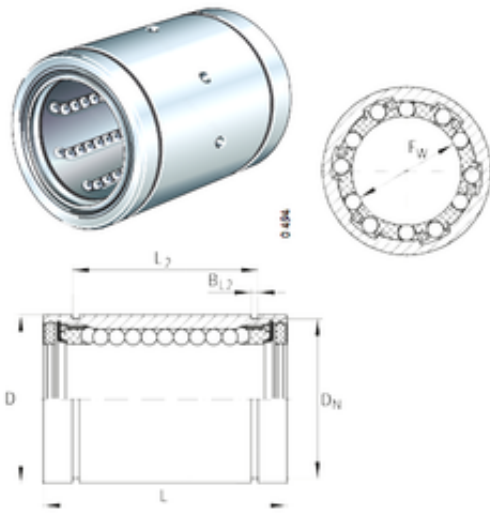




# NTN Bearing Driveshaft do Brasil

## INA KB12 linear bearings

Bearing No. KB12



KB12 Bearing 2D drawings and 3D CAD models

Bore Diameter	12 mm
Outer Diameter	22 mm
Fw	12 mm
D	22 mm
Dn	21 mm
L2	22,6 mm
N2	1,5 mm
L	32 mm
BL2	1,3 mm
Weight	0,04 Kg
Basic dynamic load rating (C)	0,64 kN