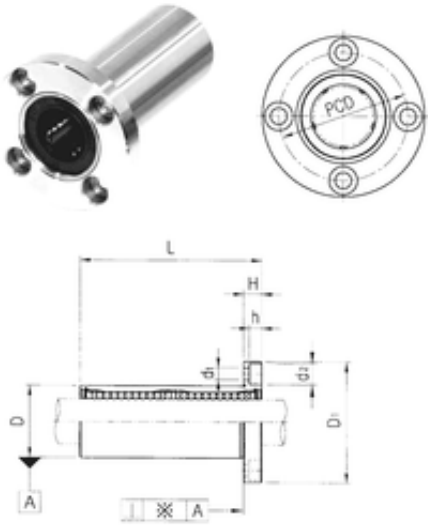




NTN Bearing Driveshaft do Brasil



LMF35L Bearing 2D drawings and 3D CAD models

Samick LMF35L linear bearings

Bearing No. LMF35L

Bore Diameter	35 mm
Outer Diameter	52 mm
d	35 mm
D	52 mm
d1	6,6 mm
d2	11 mm
h	6,5 mm
D1	82 mm
H	10 mm
L	135 mm
PCD	67 mm
Tolerance perpendicularity (C)	25
Weight	0,97 Kg
Basic dynamic load rating (C)	2,65 kN