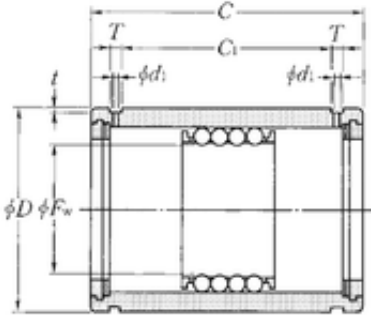




# NTN Bearing Driveshaft do Brasil

## NTN KD406080 linear bearings



Bearing No. KD406080

Size	40x60x80 mm
Bore Diameter	40 mm
Outer Diameter	60 mm
Width	80 mm
Fw	40 mm
D	60 mm
C	80 mm
t	0,7 mm
d1	2,5 mm
C1	68,3 mm
T	2,7 mm
Weight	0,635 Kg
Basic dynamic load rating (C)	5,9 kN

KD406080 Bearing 2D drawings and 3D CAD models