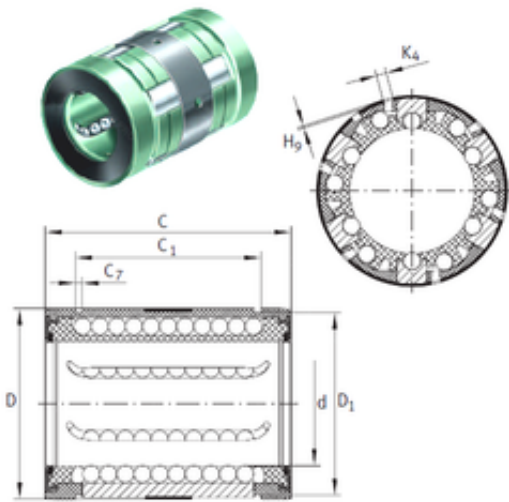




# NTN Bearing Driveshaft do Brasil

## INA KN 25 B-PP linear bearings

Bearing No. KN 25 B-PP



KN 25 B-PP Bearing 2D drawings and 3D CAD models

Size	25x40x58 mm
Bore Diameter	25 mm
Outer Diameter	40 mm
Width	58 mm
d	25 mm
D	40 mm
C	58 mm
C7	1,85 mm
H9	1,4 mm
K4	3 mm
b1	2,5 mm
C1	43,7 mm
D1	38,5 mm