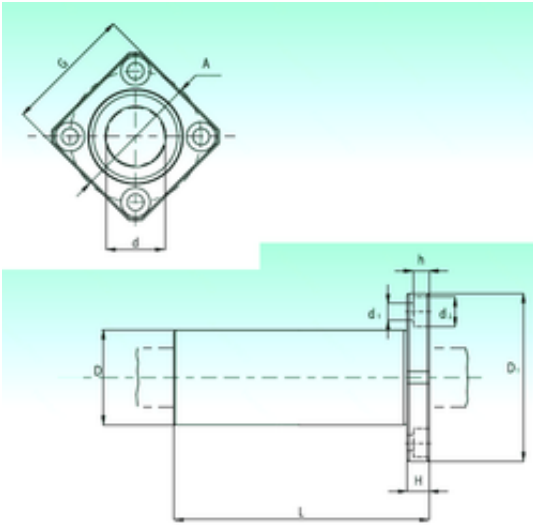




NTN Bearing Driveshaft do Brasil



KBKL 20 Bearing 2D drawings and 3D CAD models

NBS KBKL 20 linear bearings

Bearing No. KBKL 20

Bore Diameter	20 mm
Outer Diameter	32 mm
d	20 mm
D	32 mm
d1	5,5 mm
d2	9,5 mm
h	5,4 mm
A	43 mm
D1	54 mm
G	42 mm
H	8 mm
L	80 mm
Weight	0,23 Kg
Basic dynamic load rating (C)	1,4 kN