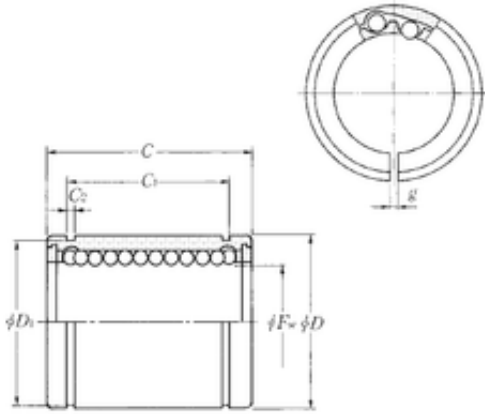




# NTN Bearing Driveshaft do Brasil

## NTN KLM20S linear bearings

Bearing No. KLM20S



Size	20x32x42 mm
Bore Diameter	20 mm
Outer Diameter	32 mm
Width	42 mm
Fw	20 mm
D	32 mm
C	42 mm
g	0,6 mm
C1	30,3 mm
D1	30,5 mm
C2	1,6 mm
Weight	0,1 Kg
Basic dynamic load rating (C)	1 190 kN

KLM20S Bearing 2D drawings and 3D CAD models