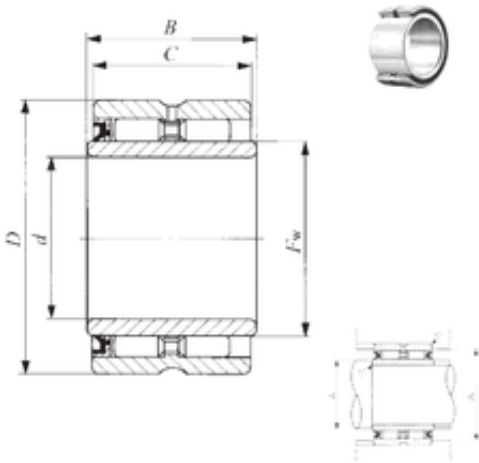




NTN Bearing Driveshaft do Brasil



15,875 mm x 34,925 mm x 25,65 mm 15,875
mm x 34,925 mm x 25,65 mm IKO GBRI 102216
U needle roller bearings

Bearing No. GBRI 102216 U

Size	15.875x34.925x25.65 mm
Bore Diameter	15,875 mm
Outer Diameter	34,925 mm
Width	25,65 mm
d	15,875 mm
Fw	22,225 mm
D	34,925 mm
B	25,65 mm
C	25,4 mm
da min.	21 mm
da max	21,2 mm
Da max.	30 mm
ra max.	0,6 mm
Weight	127 Kg
Basic dynamic load rating (C)	28 600 kN
Basic static load rating (C0)	40 100 kN

GBRI 102216 U Bearing 2D drawings and 3D CAD models