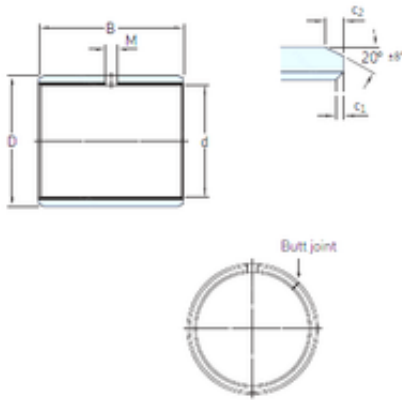




NTN Bearing Driveshaft do Brasil



76,2 mm x 80,963 mm x 50,8 mm 76,2 mm x
80,963 mm x 50,8 mm SKF PCZ 4832 E plain
bearings

Bearing No. PCZ 4832 E

Size	76.2x80.963x50.8 mm
Bore Diameter	76,2 mm
Outer Diameter	80,963 mm
Width	50,8 mm
d	76,2 mm
D	80,963 mm
B	50,8 mm
c1 min	0,2 mm
c2 min	1,2 mm
M	– mm
Weight	0,225 Kg
Basic dynamic load rating (C)	305 kN
c ₁ min.	0.2 mm
c ₁ max.	1 mm
c ₂ min.	1.2 mm
c ₂ max.	2.4 mm
± 8	20 °
Shaft diameter range min.	76.154 mm
Shaft diameter range max.	76.2 mm
Housing bore range min.	80.919 mm
Housing bore range max.	80.955 mm
Basic dynamic load rating - radial direction C	305 kN
Basic static load rating - radial direction C ₀	950 kN

PCZ 4832 E Bearing 2D drawings and 3D CAD models



NTN Bearing Driveshaft do Brasil

Specific dynamic load factor K	80 N/mm ²
Specific static load factor K ₀	250 N/mm ²
Factor depending on material and bearing type K _M	480
Permissible sliding velocity v min.	0 m/s
Permissible sliding velocity v max.	2 m/s
Coefficient of friction μ min.	0.03
Coefficient of friction μ max.	0.25
Mass bushing	0.23 kg