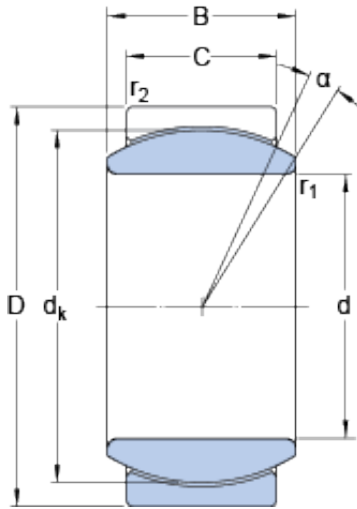




NTN Bearing Driveshaft do Brasil



GE 25 C Bearing 2D drawings and 3D CAD models

25 mm x 42 mm x 20 mm 25 mm x 42 mm x 20 mm SKF GE 25 C plain bearings

Bearing No. GE 25 C

Size	42x25x20 mm
Bore Diameter	42 mm
Outer Diameter	25 mm
Width	20 mm
d	25 mm
D	42 mm
B	20 mm
C	16 mm
	7 °
dk	35.5 mm
r ₁ - min.	0.6 mm
r ₂ - min.	0.6 mm
d _a - min.	27.7 mm
d _a - max.	29.3 mm
D _a - min.	33.7 mm
D _a - max.	39.5 mm
r _a - max.	0.6 mm
r _b - max.	0.6 mm
Basic dynamic load rating - C	51 kN
Basic static load rating - C ₀	127 kN
Specific factor dynamic load - K	100 N/mm ²
Specific factor static load - K ₀	250 N/mm ²
Constant - K _M	1400



NTN Bearing Driveshaft do Brasil

Category	Spherical Plain Bearings - Radial
Inventory	0.0
Manufacturer Name	SKF
Minimum Buy Quantity	N/A
Weight / Kilogram	0.124
EAN	7316576609282
Product Group	B04264
Self Aligning	Yes
Rolling Element	Spherical Plain
Material - Outer Member	Steel
Material - Ball	Steel
Material - Liner	Teflon Sintered Bronze
Relubricatable	No
Enclosure	Open
Other Features	2 Piece Maintenance Free Chrome Plated Ball Self Lubricating
Long Description	25MM Bore; 16MM Housing Width; 42MM Outside Diameter; Spherical Plain; Steel Outer Member; Steel Ball; Teflon Sintered Bronze Liner; 20MM Overall Width; Not Relubricatable
Inch - Metric	Metric
Category	Plain Bearings Spherical Radial
UNSPSC	31171515
Harmonized Tariff Code	8483.30.80.70
Noun	Bearing
Keyword 3	Spherical
Keyword String	Plain Spherical Radial
Manufacturer URL	http://www.skf.com
Manufacturer Item Number	GE 25 C



NTN Bearing Driveshaft do Brasil

Weight / LBS	0.265
Housing Width	0.63 Inch 16 Millimeter
Outside Diameter	1.654 Inch 42 Millimeter
Bore	0.984 Inch 25 Millimeter
Overall Width	0.787 Inch 20 Millimeter
bore diameter:	25 mm
outer ring width:	16 mm
outside diameter:	42 mm
grade:	Commercial/Industrial
misalignment angle:	7 °
race material:	PTFE Composite
inner ring width:	20 mm
radial static load capacity:	127 kN
bearing type:	Radial
radial dynamic load capacity:	51 kN
lubrication type:	Maintenance Free/Self-Lubricating
operating temperature range:	-50 to +150 ° C ° F
closure type:	Open
overall width:	20 mm
outer ring material:	Steel
manufacturer upc number:	7316576609282
inner ring material:	Steel
Lubricant	Maintenance free – dry lubrication
Design (sliding contact surface combination)	Steel/PTFE sintered bronze
Sealing solution	-
	7 °
d _k	35.5 mm
r ₁ min.	0.6 mm
r ₂ min.	0.6 mm



NTN Bearing Driveshaft do Brasil

d_a min.	27.7 mm
d_a max.	29.3 mm
D_a min.	33.7 mm
D_a max.	39.5 mm
r_a max.	0.6 mm
r_b max.	0.6 mm
Basic dynamic load rating C	51 kN
Basic static load rating C_0	127 kN
Specific dynamic load factor K	100 N/mm ²
Specific static load factor K_0	250 N/mm ²
Material constant K_M	1400
Mass plain bearing	0.12 kg