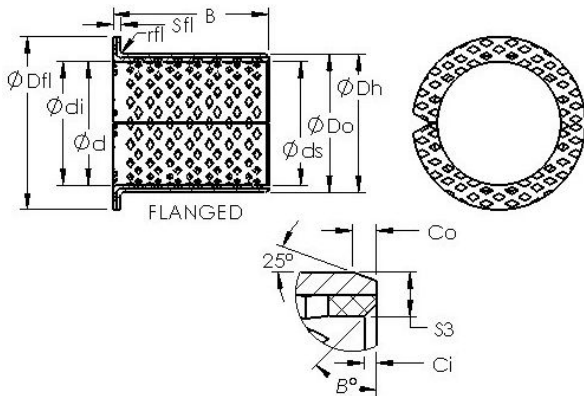




NTN Bearing Driveshaft do Brasil



AST ASTB90 F5550 plain bearings

Bearing No. ASTB90 F5550

Bore Diameter	55 mm
Outer Diameter	60 mm
Bearing Type	flanged
Shaft Dia., Nominal (d)	55.0000
Shaft Size (ds) - 55 -0.100 / -0.130	55 0.100 / 0.130
Housing Bore Dia. (Dh) - 60 +0.030 / -0	60 +0.030 / 0
Bearing Outside Diameter, Nominal(Do)	60.000
Bearing Bore after Mounting (di) - 55 +0.074 / -0	55 +0.074 / 0
Wall Thickness (S3)	2.500
Bearing Length, Nominal (B)	50.000
Bearing Length Tolerance (B tol.) - +0 / -0.40	+0 / 0.40
OD Chamfer Length (Co)	1.800
ID Chamfer Angle (B deg.)	45
ID Chamfer Length (Ci)	0.600
Flange Dia. (Dfl pm 0.5)	70.000
Flange Thickness (Sfl)	2.500
Flange Radius (rfl)	2.000
Material	Wrapped bronze with formed lubrication indents.

ASTB90 F5550 Bearing 2D drawings and 3D CAD models