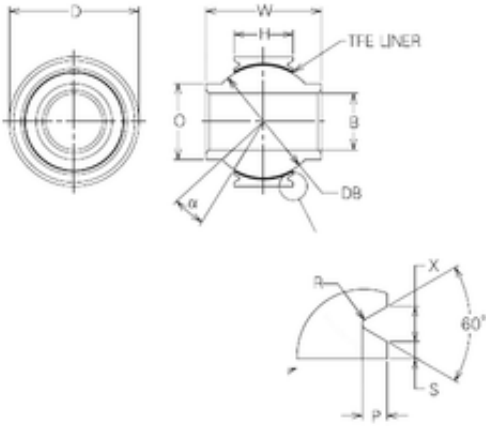




NTN Bearing Driveshaft do Brasil

10 mm x 23 mm x 10 mm 10 mm x 23 mm x 10 mm NMB MBYT10V plain bearings

Bearing No. MBYT10V



MBYT10V Bearing 2D drawings and 3D CAD models

Size	10x23x20.5 mm
Bore Diameter	10 mm
Outer Diameter	23 mm
Width	20,5 mm
d	10 mm
D	23 mm
B	20,5 mm
C	8,5 mm
P	1 mm
Db	20 mm
X	1,4 mm
O	13,5 mm
B	10 mm
D	23 mm
H	8,5 mm
R	0,5 mm
S	0,7 mm
W	20,5 mm
Angle	22 °
Weight	0,032 Kg
Basic dynamic load rating (C)	28,42 kN
Static load rating radial (C0)	63,7 kN