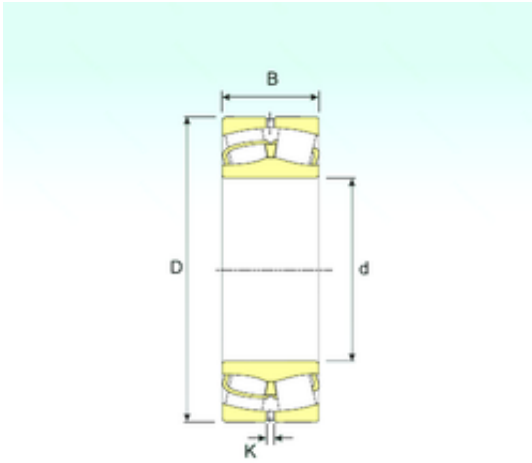




NTN Bearing Driveshaft do Brasil



24144 Bearing 2D drawings and 3D CAD models

220 mm x 370 mm x 150 mm 220 mm x 370 mm
x 150 mm ISB 24144 spherical roller bearings

Bearing No. 24144

Size	220x370x150 mm
Bore Diameter	220 mm
Outer Diameter	370 mm
Width	150 mm
d	220 mm
D	370 mm
B	150 mm
C	150 mm
K	6 mm
Weight	67 Kg
Basic dynamic load rating (C)	2078 kN
Basic static load rating (C0)	3283 kN
(Grease) Lubrication Speed	1071 r/min