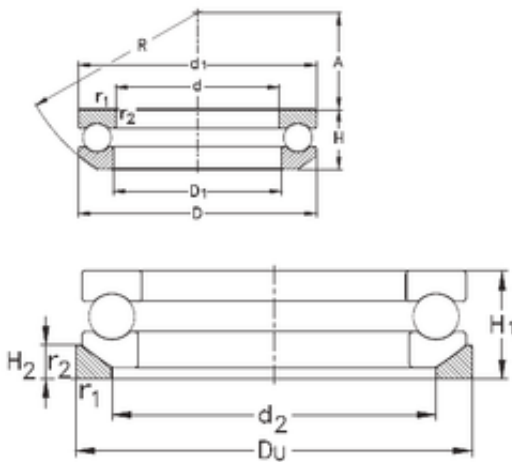




NTN Bearing Driveshaft do Brasil

NKE 53317+U317 thrust ball bearings

Bearing No. 53317+U317



53317+U317 Bearing 2D drawings and 3D CAD models

Size	85x150x53.1 mm
Bore Diameter	85 mm
Outer Diameter	150 mm
Width	53,1 mm
d	85 mm
D	150 mm
H	53,1 mm
d1	150 mm
d2	115 mm
r1 min.	1,5 mm
r2 min.	1,5 mm
A	43 mm
D1	88 mm
H1	58 mm
H2	17,5 mm
R	112 mm
Weight	4,34 Kg
Basic dynamic load rating (C)	190 kN
Basic static load rating (C0)	425 kN