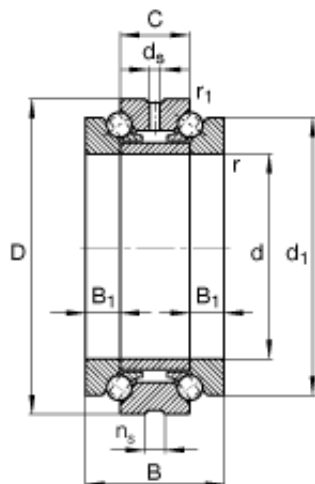




NTN Bearing Driveshaft do Brasil



105 mm x 160 mm x 66 mm 105 mm x 160 mm
x 66 mm FAG 234421-M-SP thrust ball bearings

Bearing No. 234421-M-SP

234421-M-SP Bearing 2D drawings and 3D CAD models

Size	105x160x66 mm
Bore Diameter	105 mm
Outer Diameter	160 mm
Width	66 mm
d	105 mm
D	160 mm
B	66 mm
B ₁	16,5 mm
C	33 mm
D _a	150 mm / Tolerance: H12
d ₁	142 mm
d _a	128 mm / Tolerance: h12
d _s	4,8 mm
n _s	9,5 mm
r _{1 min}	0,6 mm
r _{a max}	2 mm
r _{a1 max}	0,6 mm
r _{min}	2 mm
	60 ° / Angle
m	3,41 kg / Weight
C _a	74000 N / Dynamic load rating (axial)
C _{0a}	250000 N / Static load rating (axial)



NTN Bearing Driveshaft do Brasil

$n_{G\text{ Fett}}$	3600 1/min / Limiting speed for grease lubrication
$n_{G\text{ Oil}}$	4800 1/min / Limiting speed for minimal quantity oil lubrication