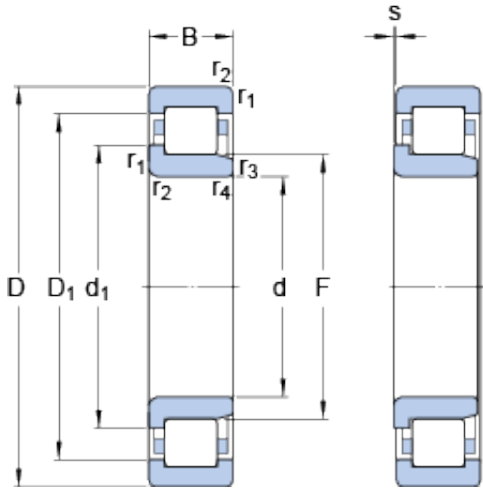




## NTN Bearing Driveshaft do Brasil



60 mm x 130 mm x 31 mm 60 mm x 130 mm x 31 mm SKF NJ 312 ECPH thrust ball bearings

Bearing No. NJ 312 ECPH

NJ 312 ECPH Bearing 2D drawings and 3D CAD models

Size	130x60x31 mm
Bore Diameter	130 mm
Outer Diameter	60 mm
Width	31 mm
d	60 mm
D	130 mm
B	31 mm
d <sub>1</sub>	84.3 mm
D <sub>1</sub>	108.5 mm
F	77 mm
r <sub>1,2</sub> - min.	2.1 mm
r <sub>3,4</sub> - min.	2.1 mm
s	2.1 mm
d <sub>a</sub> - min.	72 mm
d <sub>a</sub> - max.	74 mm
d <sub>b</sub> - min.	87 mm
D <sub>a</sub> - max.	118.1 mm
r <sub>a</sub> - max.	2 mm
Basic dynamic load rating - C	173 kN
Basic static load rating - C <sub>0</sub>	160 kN
Fatigue load limit - P <sub>u</sub>	21.2 kN
Reference speed	5600 r/min
Limiting speed	6700 r/min
Calculation factor - k <sub>r</sub>	0.15



## NTN Bearing Driveshaft do Brasil

$d_1$	84.3 mm
$D_1$	108.6 mm
$r_{1,2}$ min.	2.1 mm
$r_{3,4}$ min.	2.1 mm
s max.	2.1 mm
$d_a$ min.	72 mm
$d_a$ max.	74 mm
$d_b$ min.	87 mm
$D_a$ max.	118.1 mm
$r_a$ max.	2 mm
Basic dynamic load rating C	173 kN
Basic static load rating $C_0$	160 kN
Fatigue load limit $P_u$	21.2 kN
Calculation factor $k_r$	0.15
Limiting value e	0.2
Axial load factor Y	0.6
Mass bearing	1.83 kg
Angle ring	HJ 312 EC