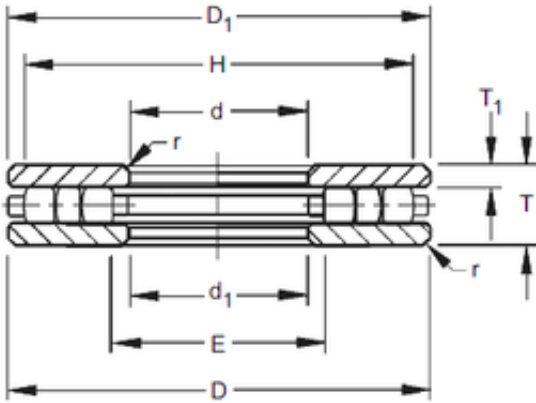




NTN Bearing Driveshaft do Brasil

Timken 240TP179 thrust roller bearings

Bearing No. 240TP179



Size	609.6x914.4x152.4 mm
Bore Diameter	609,6 mm
Outer Diameter	914,4 mm
Width	152,4 mm
d	609,6 mm
D	914,4 mm
T	152,4 mm
r max	9,5 mm
T1	42,07 mm
d1	612,8 mm
D1	911,2 mm
E	635 mm
H	889 mm

240TP179 Bearing 2D drawings and 3D CAD models