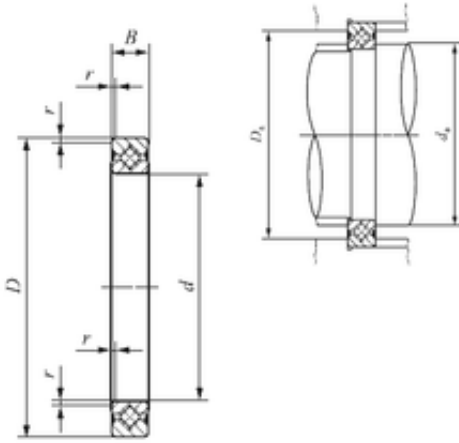




## NTN Bearing Driveshaft do Brasil

60 mm x 76 mm x 8 mm 60 mm x 76 mm x 8 mm IKO CRBS 608 V thrust roller bearings

Bearing No. CRBS 608 V



CRBS 608 V Bearing 2D drawings and 3D CAD models

Size	60x76x8 mm
Bore Diameter	60 mm
Outer Diameter	76 mm
Width	8 mm
d	60 mm
D	76 mm
B	8 mm
r min.	0.4 mm
Da	71 mm
da	64 mm
Weight	0,094 Kg
Basic dynamic load rating (C)	7,6 kN